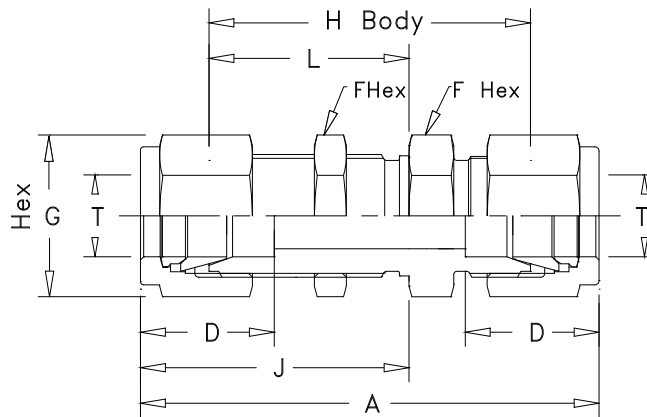


Addison Instrumentation Tube Fittings

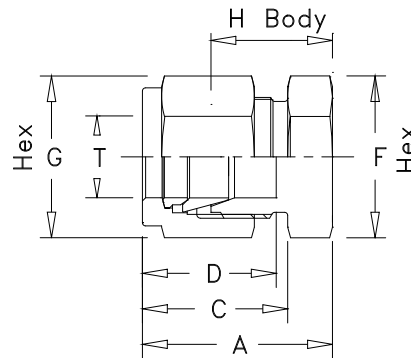
Bulkhead Unions



METRIC TUBE		Dimensions in mm							
Part No.	T o/d	A Length	D	F	G Nut	H Body	J	L	
6mBHU	6	58.70	15.30	17	14	42.90	34.00	26.10	
8mBHU	8	61.90	16.20	18	16	46.00	36.10	28.60	
10mBHU	10	63.50	17.20	22	19	47.50	37.00	29.30	
12mBHU	12	71.40	22.80	24	22	50.80	42.00	31.70	
16mBHU	16	73.00	24.40	27	25	52.30	42.60	32.50	
18mBHU	18	79.30	24.40	30	30	58.70	47.30	37.30	
20mBHU	20	84.50	26.00	35	32	64.30	53.00	42.90	
25mBHU	25	95.25	30.96	41	38	71.44	57.15	45.20	

INCH TUBE		Dimensions in inches							
Part No.	T o/d	A Length	D	F	G Nut	H Body	J	L	
2BHU	1/8	2.10	0.53	1/2	7/16	1.50	1.25	0.97	
3BHU	3/16	2.11	0.54	9/16	1/2	1.59	1.26	1.00	
4BHU	1/4	2.27	0.60	5/8	9/16	1.69	1.32	1.03	
5BHU	5/16	2.39	0.64	11/16	5/8	1.81	1.41	1.12	
6BHU	3/8	2.46	0.66	3/4	11/16	1.88	1.45	1.16	
8BHU	1/2	2.80	0.90	15/16	7/8	2.00	1.65	1.25	
10BHU	5/8	2.87	0.96	1-1/16	1	2.06	1.69	1.28	
12BHU	3/4	3.11	0.96	1-3/16	1-1/8	2.31	1.87	1.47	
16BHU	1	3.75	1.23	1-5/8	1-1/2	2.81	2.26	1.78	

Caps



METRIC TUBE		Dimensions in mm						
Part No.	T o/d	A Length	C	D	F	G Nut	H Body	
6mCAP	6	23.80	18.00	15.30	14	14	15.80	
8mCAP	8	25.00	19.00	16.20	15	16	17.67	
10mCAP	10	26.60	19.80	17.20	18	19	19.00	
12mCAP	12	29.30	22.00	22.80	22	22	19.00	
16mCAP	16	30.16	22.20	24.40	24	25	19.80	
18mCAP	18	31.75	22.20	24.40	27	30	21.43	
20mCAP	20	34.00	22.20	26.00	30	32	23.90	
25mCAP	25	38.10	26.50	31.30	35	38	26.20	

INCH TUBE		Dimensions in inches						
Part No.	T o/d	A Length	C	D	F	G Nut	H Body	
2CAP	1/8	0.81	0.63	0.53	7/16	7/16	0.53	
3CAP	3/16	0.84	0.63	0.54	7/16	1/2	0.58	
4CAP	1/4	0.91	0.70	0.60	1/2	9/16	0.62	
5CAP	5/16	0.96	0.73	0.64	9/16	5/8	0.67	
6CAP	3/8	1.01	0.76	0.66	5/8	11/16	0.72	
8CAP	1/2	1.15	0.86	0.90	13/16	7/8	0.75	
10CAP	5/8	1.18	0.86	0.96	15/16	1	0.78	
12CAP	3/4	1.24	0.86	0.96	1-1/16	1-1/8	0.84	
16CAP	1	1.51	1.04	1.23	1-3/8	1-1/2	1.03	

Dimension are for reference only, and subject to change.