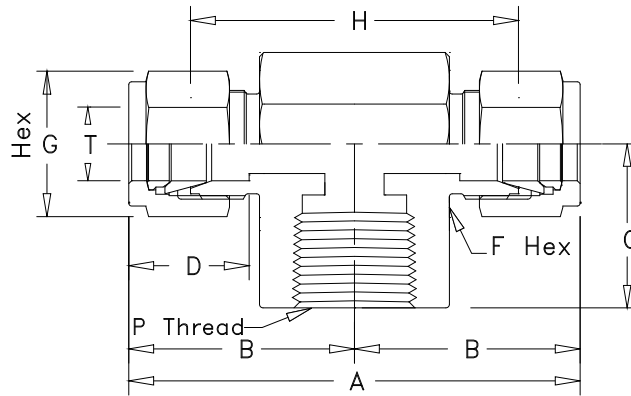


Addison Instrumentation Tube Fittings

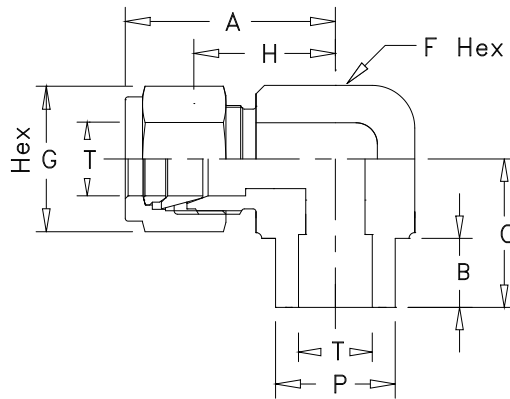
Female Branch Tee



METRIC TUBE		Dimensions in mm								
Part No	T o/d	P	A	B	C	D	F	G Nut	H	
6mTTF 2	6	1/8	53.9	27.0	19.0	15.3	12	14	39.0	
6mTTF 4	6	1/4	59.5	29.8	22.5	15.3	17	14	45.0	
8mTTF 2	8	1/8	59.7	29.9	19.0	16.2	12	16	44.7	
8mTTF 4	8	1/4	61.2	30.6	22.5	16.2	19	16	46.2	
10mTTF 4	10	1/4	67.0	33.5	22.5	17.2	19	19	52.0	
12mTTF 6	12	3/8	72.0	36.0	22.5	22.8	22	22	52.0	
12mTTF 4	12	1/4	72.0	36.0	22.5	22.8	22	22	52.0	

INCH TUBE		Dimensions in inches								
Part No	T o/d	P	A	B	C	D	F	G Nut	H	
4TTF 2	1/4	1/8	2.12	1.06	0.75	0.60	1/2	9/16	1.54	
4TTF 4	1/4	1/4	2.34	1.17	0.88	0.60	11/16	9/16	1.76	
6TTF 4	3/8	1/4	2.46	1.23	0.88	0.66	11/16	11/16	1.88	
6TTF 6	3/8	3/8	2.62	1.31	0.88	0.66	13/16	2.05	2.04	
6TTF 8	3/8	1/2	2.84	1.42	1.12	0.66	1	1.82	2.26	
8TTF 4	1/2	1/4	2.84	1.42	0.88	0.90	13/16	1.96	2.04	
8TTF 6	1/2	3/8	2.84	1.42	0.88	0.90	13/16	2.04	2.04	
8TTF 8	1/2	1/2	3.06	1.53	1.12	0.90	1	2.04	2.26	

Tube Socket Weld Elbow



INCH TUBE		Dimensions in inches								
Part No	Tubes	A	B	C	D	F	G	H	P	
4SWL	1/4	1.06	0.31	0.77	0.60	1/2	9/16	0.77	0.50	
6SWL	3/8	1.20	0.38	0.91	0.66	5/8	11/16	0.91	0.62	
8SWL	1/2	1.42	0.50	1.02	0.90	13/16	7/8	1.02	0.81	
12SWL	3/4	1.57	0.56	1.17	0.96	1-1/16	1-1/8	1.17	1.06	
16SWL	1	1.93	0.75	1.45	1.23	1-3/8	1-1/2	1.45	1.38	

Dimension are for reference only, and subject to change.