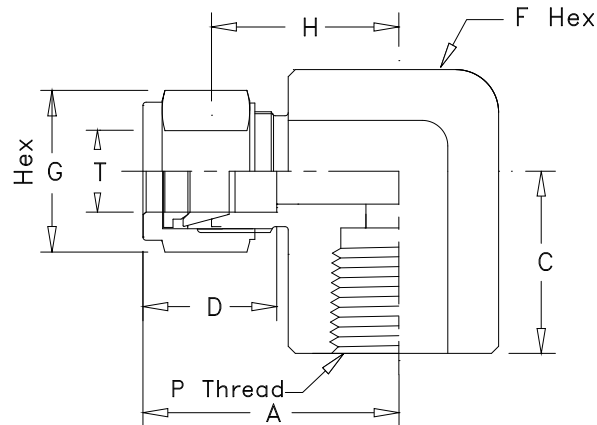


# Addison Instrumentation

## Tube Fittings

### Female Elbow



Available with NPT or BSPT threads

METRIC TUBE		Dimensions in mm							
Part No	T o/d	P	A	C	D	F	G Nut	H Body	
6mFE2	6	1/8	27.0	19.0	15.3	14	14	19.6	
6mFE4	6	1/4	29.8	22.4	15.3	19	14	22.5	
6mFE8	6	1/2	34.6	28.4	15.3	27	14	27.2	
8mFE4	8	1/4	30.6	22.4	16.2	19	16	23.0	
10mFE2	10	1/8	31.5	19.0	17.2	17	19	24.0	
10mFE4	10	1/4	33.5	22.4	17.2	19	19	26.0	
12mFE4	12	1/4	36.0	22.4	22.8	22	22	26.0	
12mFE8	12	1/2	38.8	28.4	22.8	27	22	28.7	
16mFE8	16	1/2	39.5	28.4	24.4	27	25	29.7	

INCH TUBE		Dimensions in inches							
Part No	T o/d	P	A	C	D	F	G Nut	H Body	
4FE2	1/4	1/8	1.06	0.75	0.60	1/2	9/16	0.77	
4FE4	1/4	1/4	1.17	0.88	0.60	11/16	9/16	0.88	
5FE2	5/16	1/8	1.13	0.75	0.64	9/16	5/8	0.88	
5FE4	5/16	1/4	1.20	0.88	0.64	11/16	5/8	0.91	
6FE2	3/8	1/8	1.20	0.75	0.66	5/8	11/16	0.91	
6FE4	3/8	1/4	1.23	0.88	0.66	11/16	11/16	0.94	
6FE6	3/8	3/8	1.32	0.88	0.66	13/16	11/16	1.03	
6FE8	3/8	1/2	1.41	1.12	0.66	1	11/16	1.12	
8FE4	1/2	1/4	1.40	0.88	0.90	13/16	7/8	1.03	
8FE6	1/2	3/8	1.43	0.88	0.90	13/16	7/8	1.03	
8FE8	1/2	1/2	1.52	1.12	0.90	1	7/8	1.12	
10FE6	5/8	3/8	1.50	0.88	0.96	15/16	1	1.10	
10FE8	5/8	1/2	1.58	1.12	0.96	1-1/16	1	1.17	
12FE8	3/4	1/2	1.58	1.12	0.96	1-1/16	1-1/8	1.17	
12FE12	3/4	3/4	1.76	1.25	0.96	1-3/8	1-1/8	1.36	

Dimension are for reference only, and subject to change.