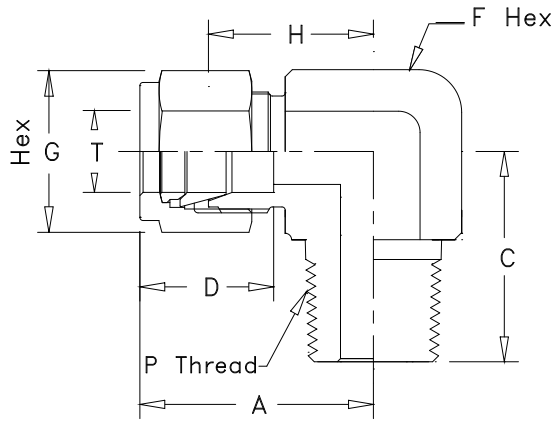


Addison Instrumentation

Tube Fittings

Male Elbow



Available with NPT or BSPT threads

METRIC TUBE			Dimensions in mm					
Part No	T o/d	P	A	B	D	F	G Nut	H Body
6mME2	6	1/8"	27.00	19.84	15.30	12	14	19.80
6mME4	6	1/4"	27.00	23.81	15.30	14	14	19.80
6mME6	6	3/8"	29.90	26.2	15.30	19	14	22.40
6mME8	6	1/2"	31.90	33.34	15.30	22	14	24.40
8mME2	8	1/8"	28.80	20.64	16.20	14	16	22.22
8mME4	8	1/4"	28.80	25.40	16.20	16	16	21.30
8mME6	8	3/8"	30.70	25.40	16.20	19	16	23.10
8mME8	8	1/2"	32.70	32.00	16.20	22	16	25.00
10mME2	10	1/8"	32.70	22.23	17.20	14	19	24.00
10mME4	10	1/4"	31.50	25.40	17.20	17	19	24.00
10mME6	10	3/8"	31.50	28.58	17.20	17	19	24.00
10mME8	10	1/2"	33.50	31.75	17.20	22	19	25.90
12mME4	12	1/4"	36.00	28.58	22.80	22	22	26.00
12mME6	12	3/8"	36.00	28.58	22.80	22	22	26.00
12mME8	12	1/2"	36.00	33.34	22.80	22	22	26.00
16mME6	16	3/8"	38.00	31.75	24.40	24	27	28.00
16mME8	16	1/2"	38.00	34.93	24.40	24	27	28.00
18mME8	18	1/2"	39.80	38.10	24.40	27	30	30.00
18mME12	18	3/4"	39.80	38.10	24.40	27	30	30.00
20mME8	20	1/2"	44.60	38.10	26.00	32	32	34.50
20mME12	20	3/4"	44.60	38.10	26.00	32	32	34.50
25mME12	25	3/4"	49.10	38.10	31.30	32	38	36.80
25mME16	25	1"	49.10	46.83	31.30	32	38	36.80

INCH TUBE			Dimensions in inches					
Part No	T o/d	P	A	B	D	F	G Nut	H Body
2ME2	1/8	1/8	0.94	0.76	0.53	7/16	7/16	0.72
2ME4	1/8	1/4	0.97	0.94	0.53	1/2	7/16	0.72
3ME2	3/16	1/8	1.01	0.76	0.54	1/2	1/2	0.75
4ME2	1/4	1/8	1.07	0.76	0.60	1/2	9/16	0.78
4ME4	1/4	1/4	1.07	0.94	0.60	1/2	9/16	0.78
4ME6	1/4	3/8	1.17	1.00	0.60	11/16	9/16	0.88
4ME8	1/4	1/2	1.26	1.30	0.60	13/16	9/16	0.96
5ME2	5/16	1/8	1.17	0.82	0.64	9/16	5/8	0.88
5ME4	5/16	1/4	1.17	1.00	0.64	9/16	5/8	0.88
6ME2	3/8	1/8	1.20	0.82	0.66	5/8	11/16	0.91
6ME4	3/8	1/4	1.20	1.00	0.66	5/8	11/16	0.91
6ME6	3/8	3/8	1.23	1.00	0.66	11/16	11/16	0.91
6ME8	3/8	1/2	1.32	1.26	0.66	13/16	11/16	1.02
8ME4	1/2	1/4	1.38	1.10	0.90	13/16	7/8	1.02
8ME6	1/2	3/8	1.38	1.10	0.90	13/16	7/8	1.02
8ME8	1/2	1/2	1.44	1.30	0.90	13/16	7/8	1.02
10ME6	5/8	3/8	1.46	1.16	0.96	15/16	1	1.10
10ME8	5/8	1/2	1.46	1.38	0.96	15/16	1	1.10
12ME8	3/4	1/2	1.51	1.45	0.96	1-1/16	1-1/8	1.17
12ME12	3/4	3/4	1.51	1.45	0.96	1-1/16	1-1/8	1.17
16ME12	1	3/4	1.79	1.66	1.23	1-3/8	1-1/2	1.65
16ME16	1	1	1.79	1.84	1.23	1-3/8	1-1/2	1.84

Dimension are for reference only, and subject to change.